

LEGEND

- --- TERMINAL BLOCK IN EQUIPMENT FOR CUSTOMER CONNECTIONS.
- --- TERMINAL BLOCK IN EQUIPMENT FOR POWELL CONNECTIONS.
- TDC --- TRUCK OPERATED CELL SWITCH SHOWN WITH BREAKER IN TEST POSITION

172CS		43L/R	
CHECK	CONTACTS	POSITION	CONTACTS
		TRIP	
		NORMAL	TRIP
		TRIP	TRIP
	120-1-1-013		120-1-1-013
	15-16-1-014		15-16-1-014
	16-1-1-015		16-1-1-015
	16-1-1-017		16-1-1-017
	220-1-1-021		220-1-1-021
	220-1-1-023		220-1-1-023
	260-1-1-025		260-1-1-025
	260-1-1-027		260-1-1-027

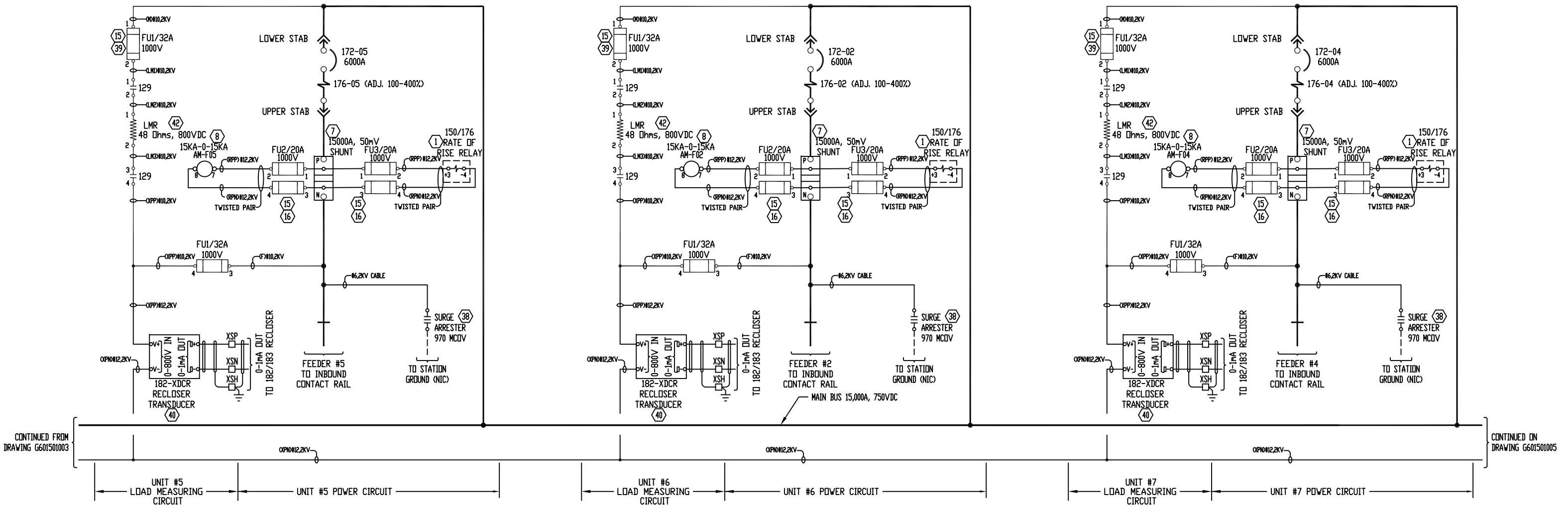
172CS CAT. #2440D
43L/R CAT. #24202B

NOTES

- ← INDICATES BKR. SECONDARY DISCONNECT.
- WIRE TAGS ARE THE SAME AS TERMINAL BLOCK NUMBERS UNLESS OTHERWISE NOTED.
- FOR 51BX INTERFACE POINTS WITH AC R/T FDR BKR #4 AND RECT #1 & #2, SEE MEC INTERCONNECT DRAWING D08-004.

FOR DC MPR RELAY INTEGRATION

REVISION DESCRIPTION			WASHINGTON METROPOLITAN AREA TRANSIT AUTHORITY METRO MATTERS PROJECT WASHINGTON, DC		
REV. BY	REV. DATE	REV. No.	CONTROL SCHEMATIC FEEDER BREAKER #1 SPECIFICATION 16341	750V, 15000A, DC METAL-ENCLOSED DC SWITCHGEAR STADIUM ARMORY SUBSTATION-D08	P.O. # FN5059 DRAWN BY DAR DATE DRAWN 04/03/2006 DWG./DISK No. TP-SSI-001

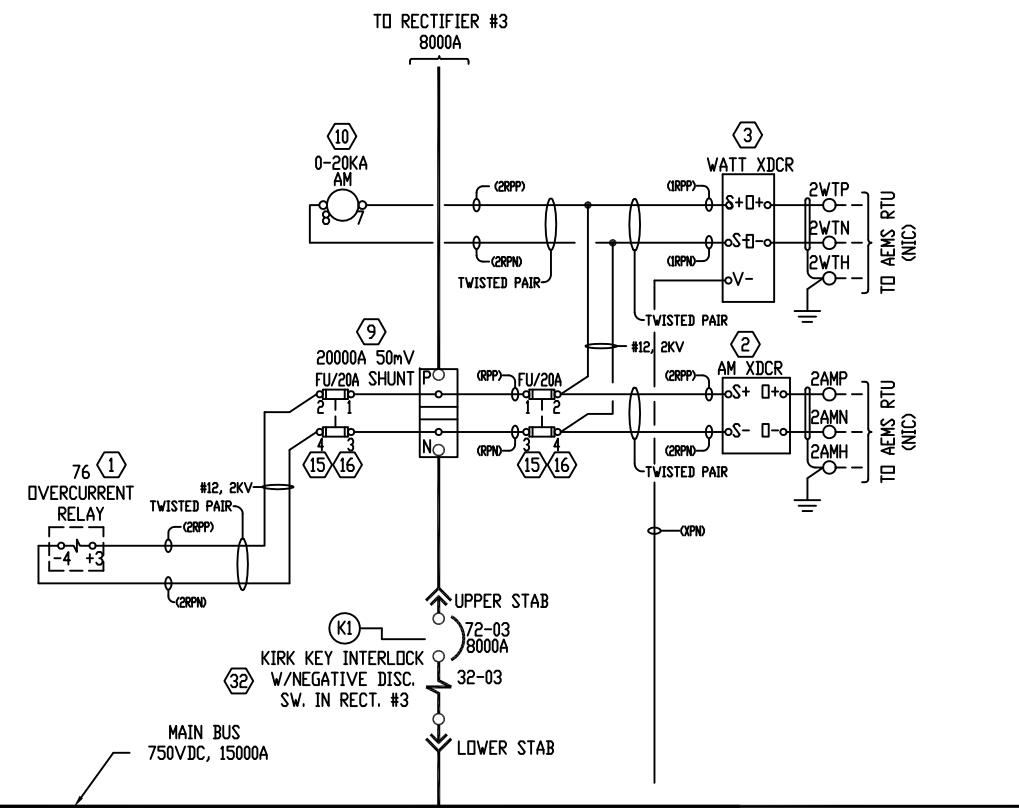
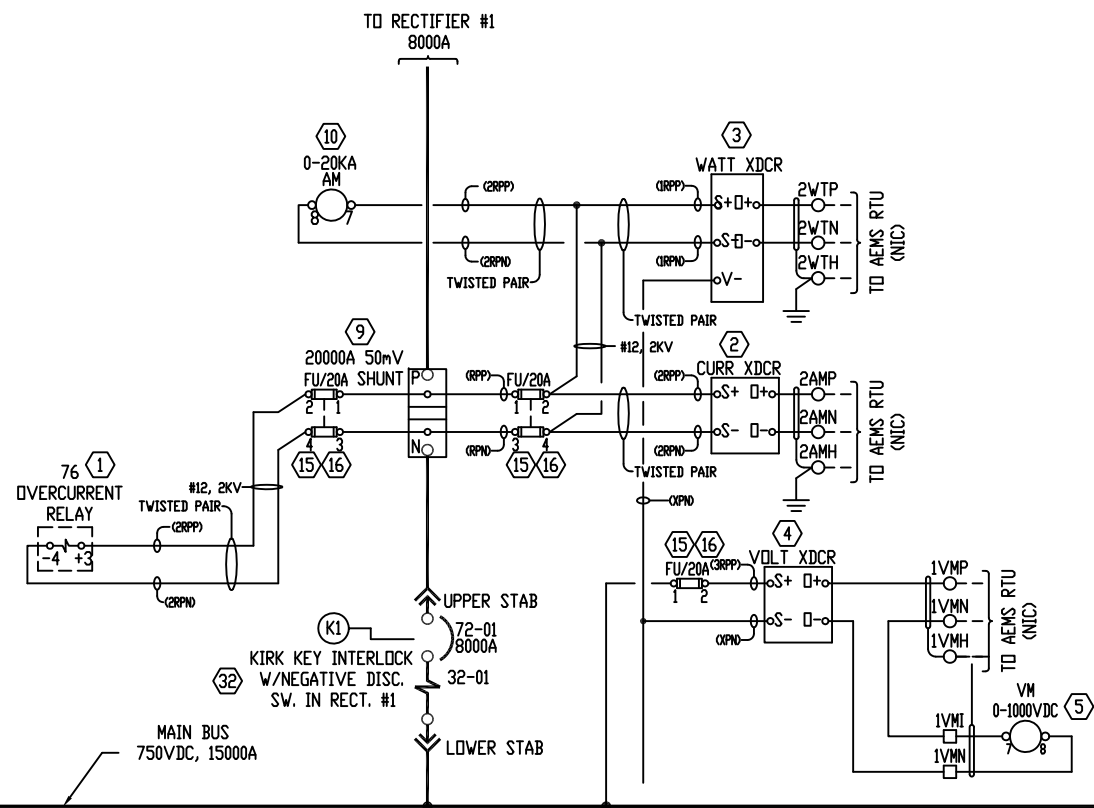


CONTINUED FROM
DRAWING G601501003

CONTINUED ON
DRAWING G601501005

FOR DC MPR RELAY INTEGRATION

REVISION DESCRIPTION			WASHINGTON METROPOLITAN AREA TRANSIT AUTH METRO MATTERS PROJECT WASHINGTON, DC		
REV. BY	REV. DATE	REV. No.	POWER DIAGRAM UNITS 5, 6 AND 7 SPECIFICATION 16341	750V, 15000A, DC METAL-ENCLOSED DC SWITCHGEAR METRO CENTER SUB-C01	P.O. # FN5059 DRAWN BY DAR DATE 3/22/2006 DWG./DISK No. TP-SSI-002



CONTINUED FROM
DRAWING G601501004

UNIT #8 POWER CIRCUIT

UNIT #9 POWER CIRCUIT

XPN --- TO NEGATIVE SWITCHBOARD

NOTES

FOR DC MPR RELAY INTEGRATION

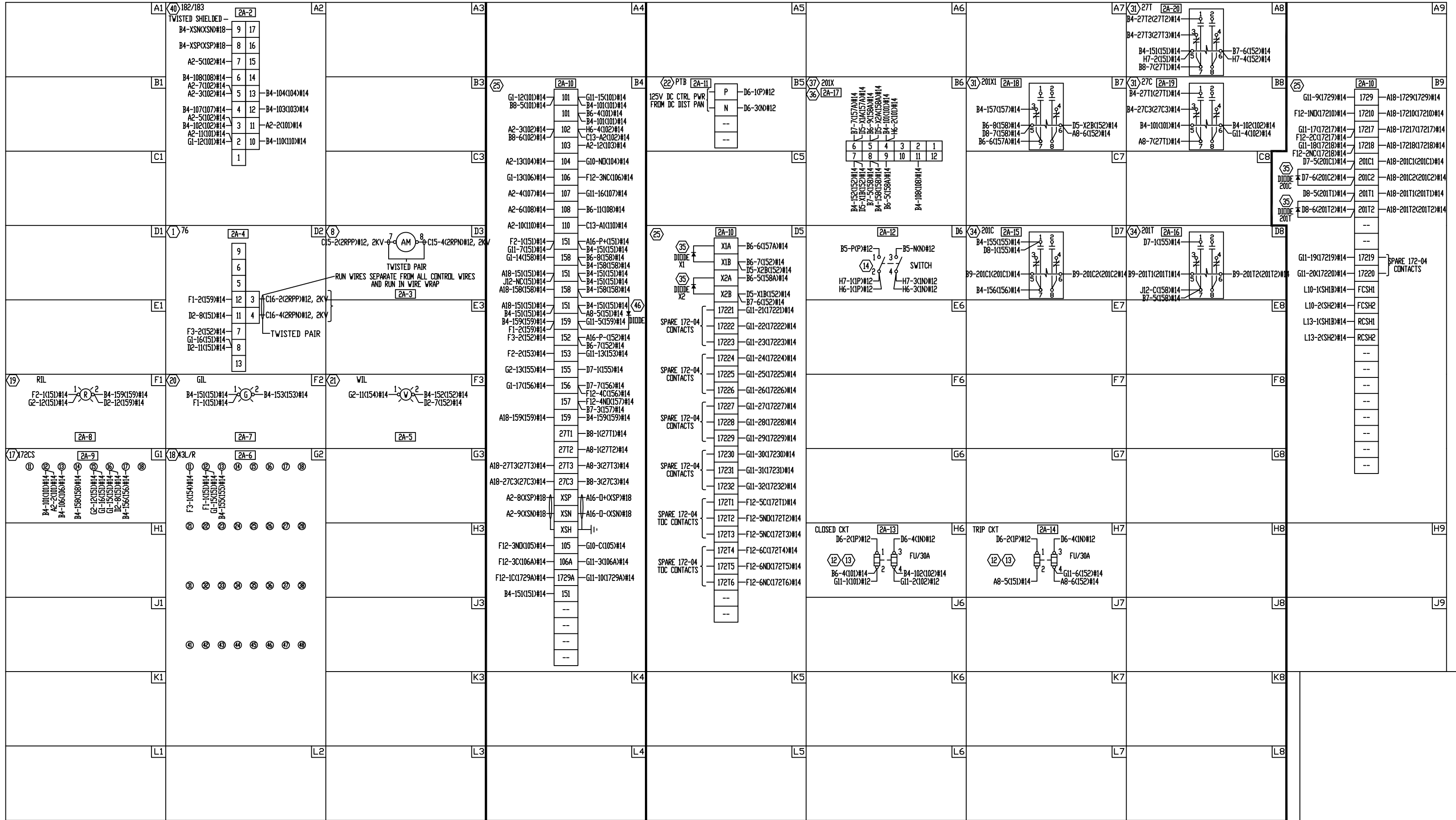
REVISION DESCRIPTION			WASHINGTON METROPOLITAN AREA TRANSIT AUTH METRO MATTERS PROJECT WASHINGTON, DC	
REV. BY	REV. DATE	REV. No.	POWER DIAGRAM UNITS 8 AND 9 SPECIFICATION 16341	750V, 15000A, DC METAL-ENCLOSED DC SWITCHGEAR METRO CENTER SUB-C01
			P.O. # FN5059	DRAWN BY DAR DATE 3/22/2006 DWG./DISK No. TP-SSI-003

DOOR DETAIL - INSTRUMENT (REAR VIEW)

LEFT SIDE INSTRUMENT PANEL

FRONT INSTRUMENT PANEL

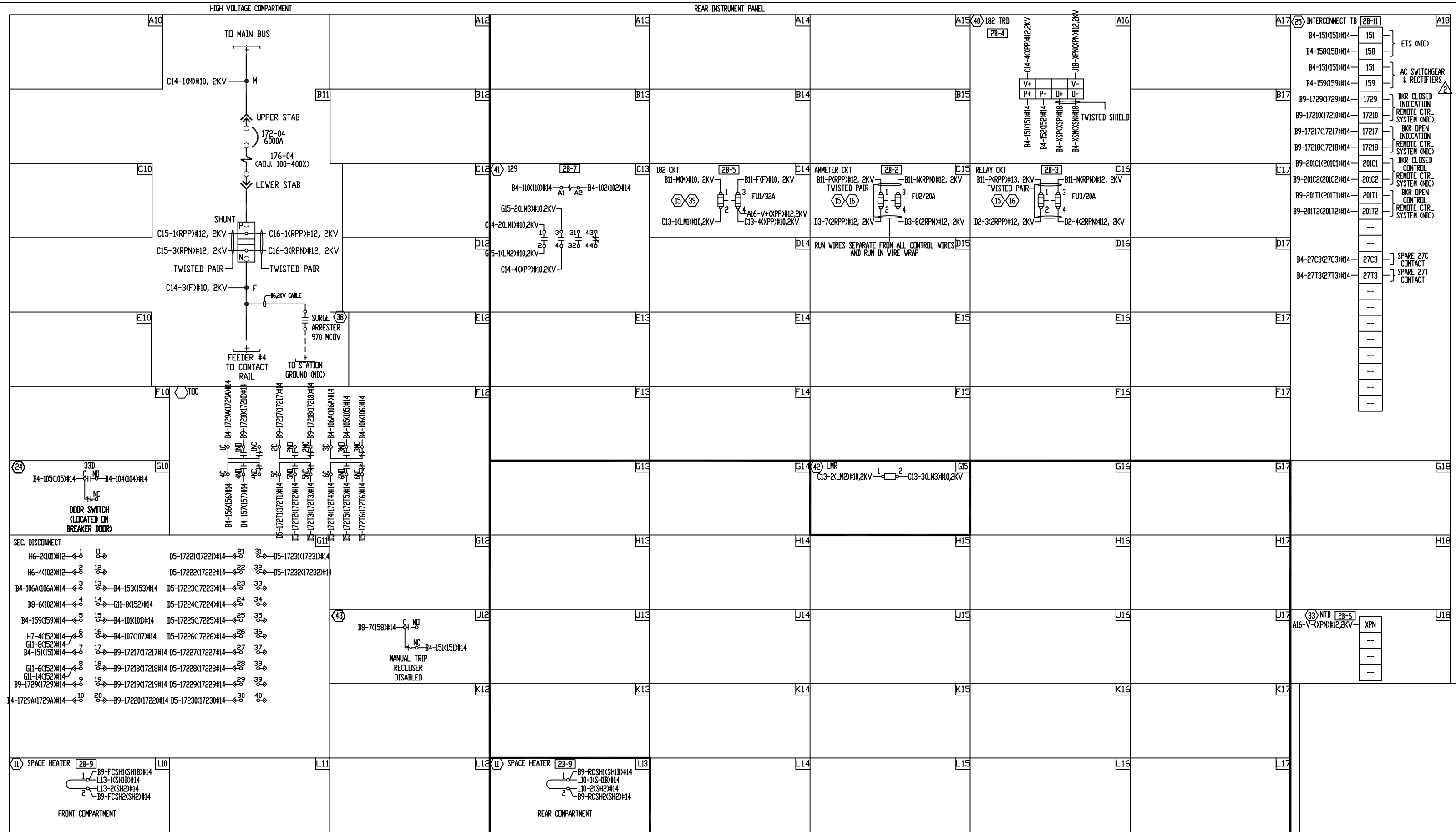
RIGHT SIDE INSTRUMENT PANEL



NOTES

FOR DC MPR RELAY INTEGRATION

REVISION DESCRIPTION			WASHINGTON METROPOLITAN AREA TRANSIT AUTH METRO MATTERS PROJECT WASHINGTON, DC		
REV. BY	REV. DATE	REV. No.	WIRING DIAGRAM #1 UNIT #2 BREAKER 172-04 SPECIFICATION 16341	750V, 15000A, DC METAL-ENCLOSED DC SWITCHGEAR STADIUM ARMORY SUBSTATION-D08	P.O. # FN5059 DRAWN BY DJW DATE DRAWN 4/04/2006 DWG./DISK No. TP-SSI-004



NOTES

FOR DC MPR RELAY INTEGRATION

REVISION DESCRIPTION			WASHINGTON METROPOLITAN AREA TRANSIT AUTH METRO MATTERS PROJECT WASHINGTON, DC		
REV. BY	REV. DATE	REV. No.	WIRING DIAGRAM #2 UNIT #2 BREAKER 172-04 SPECIFICATION 16341	750V, 15000A, DC METAL-ENCLOSED DC SWITCHGEAR STADIUM ARMORY SUBSTATION-D08	P.O. # FN5059 DRAWN BY DJW DATE DRAWN 4/04/2006 DWG./DISK No. TP-SSI-005